

**PLEASE CHECK WWW.MOLEX.COM FOR LATEST PART INFORMATION**

**Part Number:** [0039036154](#)  
**Status:** **Active**  
**Overview:** [standard\\_093](#)  
**Description:** 2.36mm (.093") Diameter Standard .093" Pin and Socket Receptacle Housing With Positive Latch, UL 94V-2, 15 Circuits

**Documents:**

<a href="#">3D Model</a>	<a href="#">Product Specification PS-3191-003 (PDF)</a>
<a href="#">Drawing (PDF)</a>	<a href="#">Product Specification PS-3191-005 (PDF)</a>
<a href="#">Product Specification PS-3191-001 (PDF)</a>	<a href="#">RoHS Certificate of Compliance (PDF)</a>

**Agency Certification**

CSA	LR19980
TUV	R72081037
UL	E29179

**General**

Product Family	Crimp Housings
Series	<a href="#">3191</a>
Comments	Polarized to Mating Part
Overview	<a href="#">standard_093</a>
Product Name	Standard .093"

**Physical**

Breakaway	No
Circuits (maximum)	15
Circuits Detail	3x5
Color - Resin	Natural
Flammability	94V-2
Gender	Dual
Glow-Wire Compliant	No
Keying to Mating Part	None
Lock to Mating Part	Yes
Material - Resin	Nylon
Number of Rows	3
Packaging Type	Bag
Panel Mount	No
Pitch - Mating Interface (in)	0.264 In
Pitch - Mating Interface (mm)	6.71 mm
Polarized to Mating Part	Yes
Stackable	No
Temperature Range - Operating	-40°C to +105°C

**Electrical**

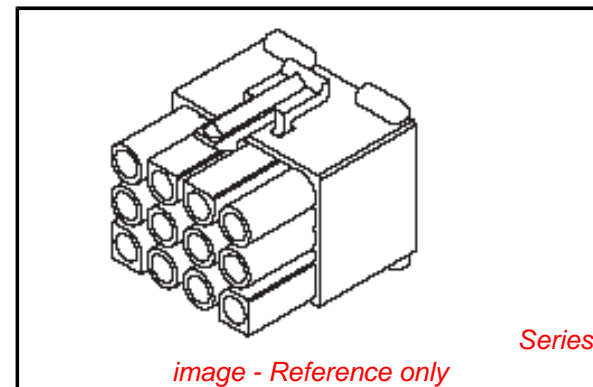
Current - Maximum per Contact	6A
-------------------------------	----

**Material Info**

Old Part Number	3191-15R1
-----------------	-----------

**Reference - Drawing Numbers**

Packaging Specification	SPK-3191-001
Product Specification	PS-3191-001, PS-3191-003, PS-3191-005, RPS-3191-001, RPS-3191-002
Sales Drawing	SD-3191-15R1-*



**EU RoHS**

**ELV and RoHS Compliant**  
**REACH SVHC Contains SVHC: No**  
**Halogen-Free**  
**Status Not Reviewed**

**China RoHS**



**Need more information on product environmental compliance?**

Email [productcompliance@molex.com](mailto:productcompliance@molex.com)  
 For a multiple part number RoHS Certificate of Compliance, [click here](#)

Please visit the [Contact Us](#) section for any non-product compliance questions.

**Search Parts in this Series**

[3191Series](#)

**Mates With**

[3191](#) Pin and Socket Plug, [5219](#) Vertical PCB Header

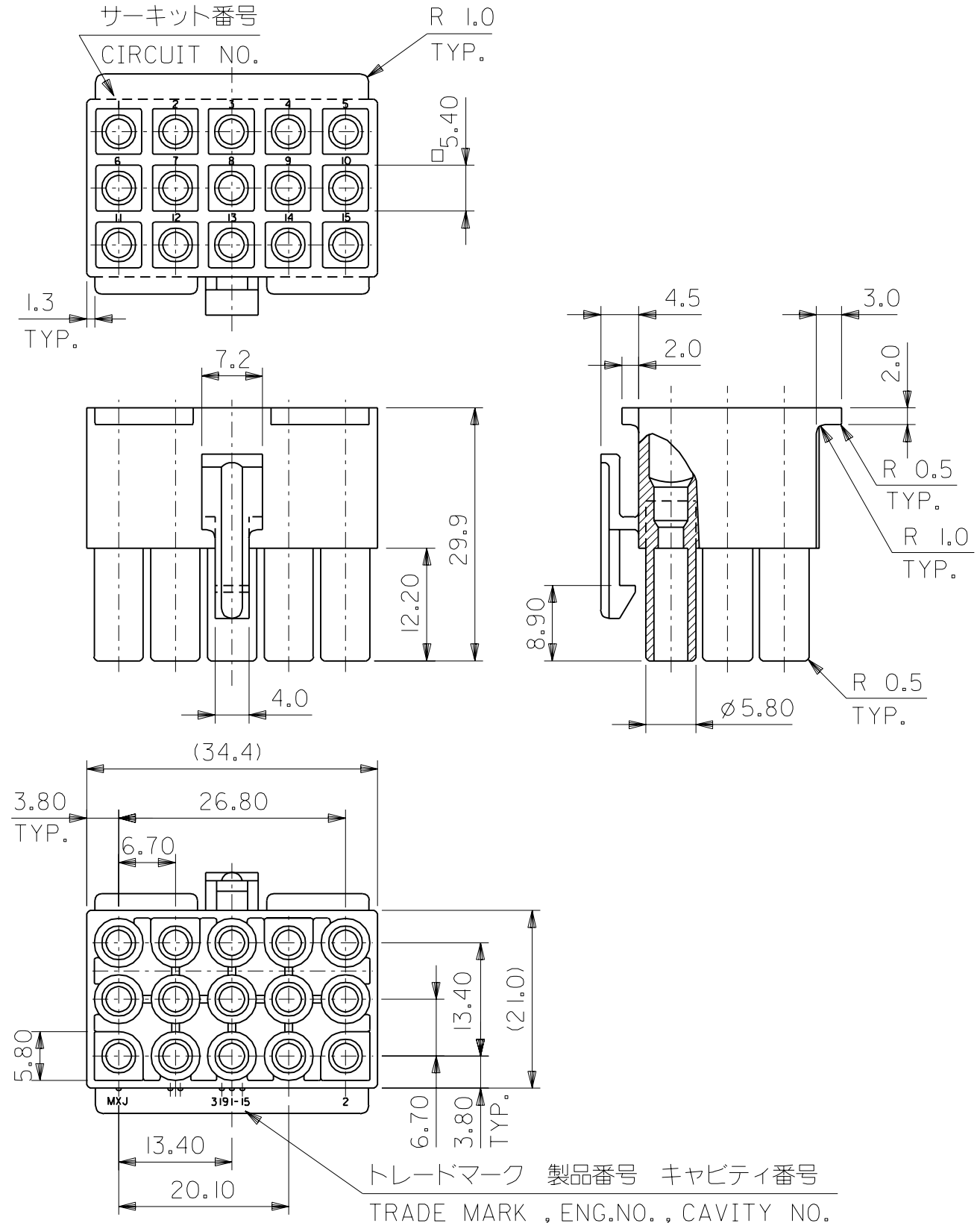
**Use With**

[1189](#) Crimp Terminals, [1190](#) Crimp Terminals, [1380](#) Male Crimp Terminals, [1381](#) Female Crimp Terminals, [1433](#) Crimp Terminals, [1434](#) Male Crimp Terminals, [2605](#) , [2606](#) , [1973](#) , [2151](#) , [2273](#) , [2870](#) , [2871](#) , [4272](#) , Lin

This document was generated on 05/19/2010

**PLEASE CHECK [WWW.MOLEX.COM](http://WWW.MOLEX.COM) FOR LATEST PART INFORMATION**

DWG. NO.  
SD-3191-15R1-\*



注)  
NOTE.  
1. ( ) 内寸法は参考  
(DIMENSIONS IN ( ) ARE REFERENCE)

3191-15R1-201	39-03-6155	ナイロン66 NYLON66	94V-0
3191-15R1	39-03-6154	ナイロン66 NYLON66	94V-2
ENG.NO.	EDP.NO.	材料 MATERIAL NO.	

DO NOT SCALE DRAWING

表参照 SEE TABLE	MATERIAL 材料	GENERAL TOLERANCES: (UNLESS SPECIFIED) 一般公差	SCALE —//—	DESIGN UNITS <input checked="" type="checkbox"/> mm <input type="checkbox"/> INCH	DIMENSIONS: <input type="checkbox"/> mm <input type="checkbox"/> INCH <input checked="" type="checkbox"/> mm ONLY	SHT REV
	FINISH 仕上げ	WIRE RANGE 適用電線範囲	ANGLE 角度	DRAWN BY & DATE K.KOHAMA '00/ 3/28	CHECKED BY & DATE T.YAMAGUCHI '00/ 3/31	APPROVED BY & DATE M.FUKUSHIMA '00/ 3/31
REDRAWN JC2000-0626 K.KOHAMA '00/ 3/28 T.YAMAGUCHI '00/ 3/31 M.FUKUSHIMA '00/ 3/31	WIRE RANGE 適用電線範囲	ANGLE 角度	CAD FILENAME S319115.S10	MATERIAL NO. 3191-15R1-*	DRAWING NO. SD-3191-15R1-*	SHEET NO. 1
INS. RANGE 被覆外径	WIRE RANGE 適用電線範囲	ANGLE 角度	THIS DRAWING CONTAINS INFORMATION THAT IS PROPRIETARY TO MOLEX INCORPORATED AND SHOULD NOT BE USED WITHOUT WRITTEN PERMISSION.	MOLEX INCORPORATED	SIZE B	S319115.S10